

## Wilo-Yonos PICO



**en** Installation and operating instructions

**pl** Instrukcja montażu i obsługi

**cs** Návod k montáži a obsluze

**hu** Beépítési és üzemeltetési utasítás

**ru** Инструкция по монтажу и эксплуатации

**bg** Инструкция за монтаж и експлоатация

**ro** Instrucțiuni de montaj și exploatare

Fig. 1:

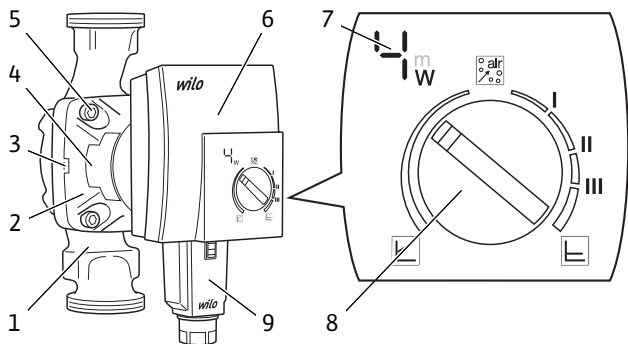


Fig. 2:

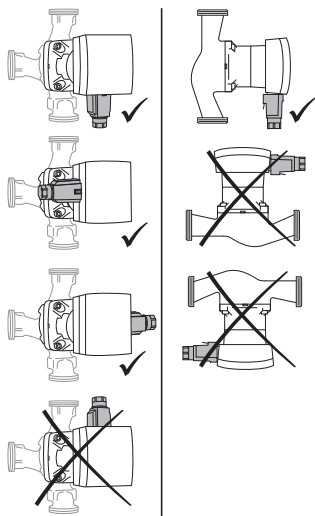


Fig. 3a:

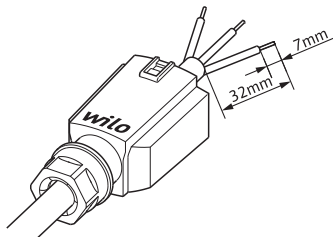


Fig. 3b:

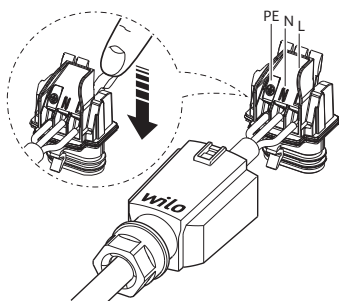


Fig. 3c:

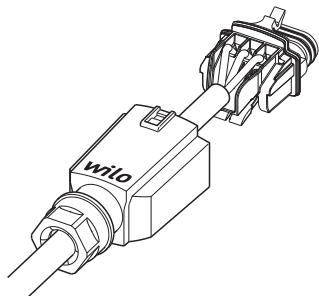


Fig. 3d:

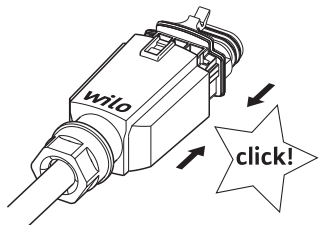


Fig. 3e:

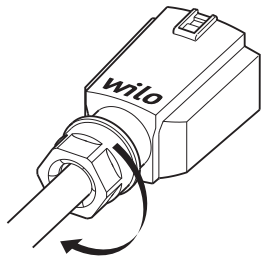
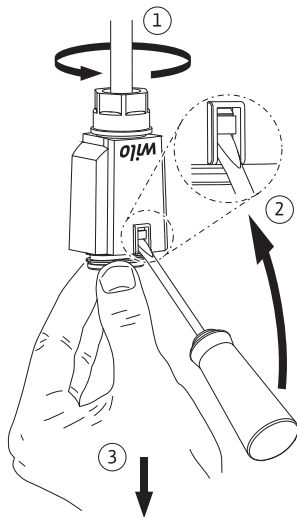


Fig. 4:



### **Information about these instructions**

These instructions facilitate safe and efficient pump operation. Read these instructions before commencing work and keep them in an accessible place at all times. For safe pump operation, observe these instructions and the data and markings on the pump. Observe local regulations where the pump is installed.

### **Highlighting instructions**

Safety instructions used in this manual:



**Danger:** Indicates a danger to life due to electrical current.



**Warning:** Indicates a possible danger to life or risk of injury.



**Caution:** Indicates a possibility of property damage.

Tips and information:



**Note:** Highlights tips and information.

## **1 Overview**

### **Product**

Wilo-Yonos PICO (Fig. 1)

- 1 Pump housing with screwed connections
- 2 Glandless pump motor
- 3 Condensate drain openings  
(4x around circumference)
- 4 Rating plate
- 5 Housing screws
- 6 Control module
- 7 LED display
- 8 Red operating knob
- 9 Wilo-Connector, electrical mains connection

**Function** High-efficiency circulation pump for hot water heating systems with integrated differential pressure control. Control mode and differential pressure (delivery head) are adjustable. The differential pressure is controlled via the pump speed.

### Type key

#### Example: Wilo-Yonos PICO 25/1-6

Yonos PICO	High-efficiency circulation pump
25	Screwed connection DN 25 (Rp 1)
1-6	1 = Minimum delivery head in m (adjustable down to 0.5 m) 6 = Maximum delivery head in m at Q = 0 m <sup>3</sup> /h

### Technical data

Connection voltage	1 ~ 230 V ± 10%, 50/60 Hz
Protection class IP	See rating plate (4)
Energy efficiency index EEI	See rating plate (4)
Fluid temperatures at max. ambient temperature +40 °C	-10 °C to +95 °C
Fluid temperatures at max. ambient temperature +25 °C	-10 °C to +110 °C
Permitted ambient temperature	-10 °C to +40 °C
Max. operating pressure	6 bar (600 kPa)
Minimum inlet pressure at +95 °C/+110 °C	0.3 bar/1.0 bar (30 kPa/100 kPa)

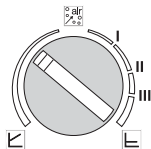
### LED display

- Display of the current power consumption in *W*.

- Display of the differential pressure setpoint *H* (delivery head) in *m*.

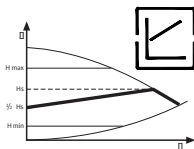
- Display of fault signals.

## Red operating knob



- Select control mode.
- Set differential pressure setpoint  $H$ .
- Activate the venting function.

## Control modes



### Variable differential pressure ( $\Delta p-v$ ):

The differential pressure setpoint  $H$  is increased linearly from  $\frac{1}{2} H$  to  $H$  across the volume flow range.

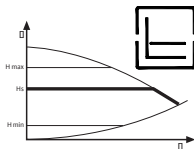


**Note:** Factory setting:  $\Delta p-v$ ,  $\frac{1}{2} H_{max}$

The differential pressure generated by the pump is adjusted to the corresponding differential pressure setpoint.



**Note:** Recommended for heating systems with radiators to reduce the flow noises at the thermostatic valves.



### Constant differential pressure ( $\Delta p-c$ ):

The differential pressure is kept constant at the differential pressure setpoint  $H$ .



**Note:** Recommended for underfloor heating, large-sized pipes as well as all applications without changeable pipe system curve (e.g. storage charge pumps).

## Venting



The **venting function** vents the pump automatically. The heating system is not vented.

## 2 Safety

### 2.1 Intended use

The high-efficiency circulation pumps in the Wilo-Yonos PICO series are exclusively designed for circulating fluids in hot water heating systems and similar systems with constantly changing volume flows.

Permitted fluids:

- Heating water in accordance with VDI 2035.
- Water-glycol mixtures\* with a maximum of 50% glycol.

\*Glycol has a higher viscosity than water. If glycol is added, the delivery data of the pump must be corrected to suit the mixing ratio.

Intended use includes observing these instructions and the data and markings on the pump.

**Misuse** Any use beyond the intended use is considered misuse and will result in the loss of all liability claims.



**Warning:** Misuse of the pump can lead to dangerous situations and property damage.

- Never use non-specified fluids.
- Never allow unauthorised persons to perform work.
- Never operate the pump outside of the specified limits of use.
- Never carry out unauthorised conversions.
- Use authorised accessories only.
- Never operate with phase angle control.

## 2.2 Operator responsibilities

- Keep children and people with limited physical, sensory or mental capacity, or insufficient experience, away from the pump.
- Have all work carried out by qualified personnel only.
- Ensure on-site contact protection from hot components and electrical hazards.
- Have defective seals and connecting cables replaced.

## 2.3 Safety instructions

### *Electrical current*



**Danger.** Electrocutation hazard!

Immediate danger to life if live components are touched.

- Only allow qualified electricians to work on the electrical system.
- Before commencing work, switch off the power supply and secure it against being switched on again.
- Never open the control module (6) and never remove control elements.
- Have defective connecting cables replaced immediately by a qualified electrician.

### *Magnetic field*



**Warning:** Risk of fatal injury from magnetic field!

Highly magnetic components are fitted inside the pump; they can cause fatal injury to people with medical implants if the pump is dismantled.

- Never remove the rotor.



## Hot components



**Warning:** Risk of burns!

Pump housing (1) and glandless pump motor (2) may become hot and result in burns on contact.

- Only touch the control module (6) during operation.
- Allow the pump to cool down before commencing any work.

## Hot fluids



**Warning:** Risk of scalding!

Hot fluids can result in scalding. Before installing or removing the pump, or undoing the housing screws (5), note the following:

- Allow the heating system to cool down completely.
- Close shut-off devices or drain the heating system.

## Damage to electronic components



**Caution:** Damage to electronic components!

Pulsed mains voltage can lead to damage to electronic components.

- Only operate the pump with sinusoidal AC voltage as stated on the rating plate (4).
- Never operate the pump with phase angle control.
- When switching the pump on or off using an external control unit, deactivate any voltage pulsing (e.g. phase angle control).
- For applications where it is not clear whether the pump is operated with pulsed voltage, get the control/system manufacturer to confirm that the pump is operated with sinusoidal AC voltage.
- Switching the pump on/off via triacs/solid-state relays must be examined on a case-by-case basis.

### 3 Delivery and storage

- Scope of delivery**
- High-efficiency circulation pump with 2 seals
  - Wilo-Connector
  - Installation and operating instructions

**Transport inspection** Inspect for transportation damage and check completeness immediately after delivery, and claim immediately if necessary.

**Transport and storage conditions** Protect from moisture, frost and mechanical loads. Permissible temperature range: -10 °C to +50 °C

### 4 Installation

#### 4.1 Installation

May only be installed by qualified technicians.

- Preparation**
- Choose an installation point that is as easily accessible as possible.
  - Observe the pump's allowable installation position (Fig. 2), rotate the motor head (2+6) if necessary.



**Caution:** Damage to the pump!

An incorrect installation position may damage the pump.

- Select the installation point in line with the allowable installation position (Fig. 2).
  - The motor must always be installed horizontally.
  - The electrical connection must never face upwards.
- Install shut-off devices upstream and downstream of the pump to facilitate pump replacement.

**⚠ Caution:** Damage to the pump!

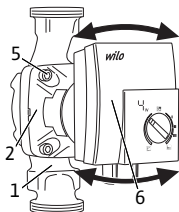
Leaking water may damage the control module.

- Align the upper shut-off device such that leaking water cannot drip onto the control module (6).

- Align the upper shut-off device laterally.
- When installing in the feed of open systems, the safety supply must branch off upstream of the pump (EN 12828).
- Complete all welding and brazing tasks.
- Flush the pipe system.

### Rotating the motor head

Rotate the motor head (2+6) before installing and connecting the pump.



- Hold the motor head (2+6) and unscrew the 4 housing screws (5).

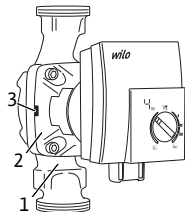
**⚠ Caution:** Damage to the inner seal!

Damage to the inner seal leads to leaks.

- Carefully rotate the motor head (2+6) without removing it from the pump housing (1).
- Carefully rotate the motor head (2+6).
- Observe the allowable installation position (Fig. 2) and the direction arrow on the pump housing (1).
- Tighten the 4 housing screws (5).

### Installing the pump

Observe the following points when installing the pump:



- Note the direction arrow on the pump housing (1).
- Install tension-free with horizontal glandless pump motor (2).
- Place seals in the screwed connections.
- Screw on threaded pipe unions.
- Tightly screw the pump and the pipes together.
- If necessary, thermally insulate the pump housing (1) with insulating shell (accessory).



**Caution:** Damage to the pump!

Insufficient heat dissipation and condensation water may damage the control module and the glandless pump motor.

- Do not thermally insulate the glandless pump motor (2).
- Ensure all condensate drain openings (3) are kept free.

## 4.2 Making the electrical connection

The electrical connection may only be made by a qualified electrician.

### **Preparation**

- The current type and voltage must agree with the specifications on the rating plate (4).
- Maximum back-up fuse: 10 A, slow-blow.
- Only operate the pump with sinusoidal AC voltage.
- When switching the pump externally, deactivate any voltage pulsing (e.g. phase angle control).
- Switching the pump via triacs/solid-state relays must be examined on a case-by-case basis.
- Note switching frequency:
  - Switch-on/off procedures via mains voltage  $\leq 100/24$  h.
  - $\leq 20/h$  for a switching frequency of 1 min. between switching on/off via mains voltage.
- The electrical connection must be made via a fixed connecting cable equipped with a connector device or an all-pole switch with a contact opening width of at least 3 mm (VDE 0700/Part 1).
- Use a connecting cable with a sufficient outer diameter (e.g. H05VV-F3G1.5) to protect against leaking water and to ensure strain relief at the threaded cable connection.
- Use a heat-resistant connecting cable where fluid temperatures exceed 90 °C.

### **Fitting the Wilo-Connector**

- Ensure that the connecting cable does not make contact with either the pipes or the pump.
- Disconnect the connecting cable from the power supply.
- Observe the terminal allocations (PE, N, L).
- Connect and fit the Wilo-Connector (Figs. 3a to 3e).

### **Connecting the pump**

- Earth the pump.
- Connect the Wilo-Connector (9) to the control module (6) until it snaps into place.

### **Removing the Wilo-Connector**

- Disconnect the connecting cable from the power supply.
- Remove the Wilo-Connector using a suitable screwdriver (Fig. 4).

## **5 Commissioning**

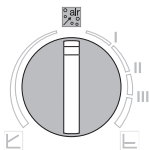
May only be commissioned by qualified technicians.

### **5.1 Venting**

- Fill and vent the system correctly.
- ↳ The pump vents automatically when first started.

If the pump does not vent automatically:

- Select the venting function.
- ↳ Venting function starts after 5 seconds, duration 10 minutes.
- ↳ LED display shows bars running from bottom to top.
- Rotate the red operating knob to abort.

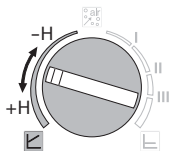


### **After venting**



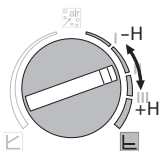
**Note!** Set the control mode and the delivery head after venting.

## 5.2 Setting the control mode and the delivery head



### Variable differential pressure ( $\Delta p-v$ ):

- Select the *Variable differential pressure* control mode setting range.
- Set differential pressure setpoint H.
- ➔ The LED display shows the differential pressure setpoint H in *m*.



### Constant differential pressure ( $\Delta p-c$ ):

- Select the *Constant differential pressure* control mode setting range.
- Set differential pressure setpoint H.
- ➔ The LED display shows the differential pressure setpoint H in *m*.



**Note:** The I, II and III marks serve as orientation when replacing Wilo-Star RS pumps.

### Completing set-up

- Do not rotate the red operating knob for 2 seconds.
- ➔ LED display flashes 5 times and changes to the current power consumption in *W*.

## 6 Decommissioning

### Shutting down the pump

Shut down the pump immediately in case of damage to the connecting cable or other electrical components.

- Disconnect the pump from the power supply.
- Contact Wilo customer service or a specialist technician.

## 7 Servicing

- Cleaning**
- Carefully remove soiling from the pump on a regular basis using a dry duster.
  - Never use liquids or aggressive cleaning agents.

## 8 Troubleshooting

Only allow qualified electricians to remedy faults on the electrical system.

Faults	Causes	Remedy
Pump is not running although the power supply is switched on	Electrical fuse defective	Check fuses
	Pump has no voltage	Resolve the power interruption
Pump making noises	Cavitation due to insufficient suction pressure	Increase the system pressure within the permissible range
		Check the delivery head and set it to a lower height if necessary
Building does not get warm	Thermal output of the heating surfaces is too low	Increase setpoint
		Set control mode to $\Delta p-c$

## Fault signals

LED	Faults	Causes	Remedy
E04	Undervoltage	Power supply too low on mains side	Check mains voltage
E05	Overvoltage	Power supply too high on mains side	Check mains voltage
E07	Generator operation	Water is flowing through the pump hydraulics, but pump has no mains voltage	Check mains voltage
E10	Blocking	Rotor blocked	Request customer service
E11	Dry running warning	Air in the pump	Check water quantity/pressure
E21	Overload	Sluggish motor	Request customer service
E23	Short circuit	Motor current too high	Request customer service
E25	Contacting/winding	Winding defective	Request customer service
E30	Module overtemperature	Module interior too warm	Check conditions of use
E36	Module defective	Electronics defective	Request customer service

If the fault cannot be remedied, contact a specialist technician or Wilo customer service.

## 9 Disposal

### ***Avoid damage to the environment***

- Do not dispose of the pump in household waste.
- Recycle the pump.
- If in doubt, contact local authorities and specialist waste management companies.



**Note!** For further information on recycling, go to [www.wilo-recycling.com](http://www.wilo-recycling.com).



**EG KONFORMITÄTSERKLÄRUNG  
EC DECLARATION OF CONFORMITY  
DECLARATION DE CONFORMITE CE**

Als Hersteller erklären wir hiermit, dass die Nassläufer-Umwälzpumpen der Baureihe,  
*We, manufacturer, declare that the glandless circulator types of the series,  
Nous, fabricant, déclarons que les types de circulateurs de la série,*

**Wilo-Yonos PICO**

(Die Seriennummer ist auf dem Typenschild des Produktes angegeben.  
*The serial number is marked on the product site plate.  
Le numéro de série est inscrit sur la plaque signalétique du produit.*)

in der gelieferten Ausführung folgenden einschlägigen Bestimmungen entsprechen:  
*in their delivered state comply with the following relevant directives:  
dans leur état de livraison sont conformes aux dispositions des directives :*

- **Niederspannungsrichtlinie 2006/95/EG,**
- **Low Voltage Directive 2006/95/EC,**
- **Basse Tension 2006/95/CE,**

- **Elektromagnetische Verträglichkeit-Richtlinie 2004/108/EG,**
- **Electromagnetic compatibility 2004/108/EC,**
- **Compatibilité électromagnétique 2004/108/CE,**

- **Richtlinie energieverbrauchsrelevanter Produkte 2009/125/EG**
- **Energy-related products 2009/125/EC**
- **Produits liés à l'énergie 2009/125/CE**

*entsprechend den Ökodesign-Anforderungen der Verordnung (EG) Nr. 641/2009, die durch die Verordnung (EU) Nr. 622/2012 geändert wird, / This applies according to eco-design requirements of the regulation (EC) No. 641/2009 amended by the regulation (EU) No. 622/2012, / conformément aux exigences d'éco-conception du règlement (CE) N°641/2009 amendé par le règlement (UE) N°622/2012,*

und entsprechender nationaler Gesetzgebung,  
*and with the relevant national legislation,  
et aux législations nationales les transposant,*

sowie auch den Bestimmungen zu folgenden harmonisierten europäischen Normen:  
*comply also with the following relevant harmonised European standards:  
sont également conformes aux normes européennes harmonisées suivantes :*

**EN 60335-2-51**

**EN 61000-6-1:2007  
EN 61000-6-2:2005  
EN 61000-6-3+A1:2011  
EN 61000-6-4+A1:2011**

**EN 16297-1  
EN 16297-2**

Dortmund, 27. Januar 2014



Digital unterschrieben von  
holger.herchenhein@wilo.com  
Datum: 2014.01.27 17:03:49  
+01'00'

**Holger HERCHENHEIN**  
**Group Quality Manager**

**wilo**

WILO SE  
Nortkirchenstraße 100  
44263 Dortmund  
Germany

## Wilo – International (Subsidiaries)

### Argentina

WILO SALMSON  
Argentina S.A.  
C.1295ABI Ciudad  
Autónoma de Buenos Aires  
T +54 11 4361 5929  
info@salmson.com.ar

### Australia

WILO Australia Pty Limited  
Murrarie, Queensland,  
4172  
T +61 7 3907 6900  
chris.dayton@wilo.com.au

### Austria

WILO Pumpen  
Österreich GmbH  
2351 Wiener Neudorf  
T +43 507 507-0  
office@wilo.at

### Azerbaijan

WILO Caspian LLC  
1065 Baku  
T +994 12 5962372  
info@wilo.az

### Belarus

WILO Bel IOOO  
220035 Minsk  
T +375 17 3963446  
wilo@wilo.by

### Belgium

WILO NV/SA  
1083 Ganshoren  
T +32 2 4823333  
info@wilo.be

### Bulgaria

WILO Bulgaria EOOD  
1125 Sofia  
T +359 2 9701970  
info@wilo.bg

### Brazil

WILO Comercio e  
Importação Ltda  
Jundiaí – São Paulo – Brasil  
13.213-105  
T +55 11 2923 9456  
wilo@wilo-brasil.com.br

### Canada

WILO Canada Inc.  
Calgary, Alberta T2A 5L7  
T +1 403 2769456  
info@wilo-canada.com

### China

WILO China Ltd.  
101300 Beijing  
T +86 10 58041888  
wilo@wilo.com.cn

### Croatia

WILO Hrvatska d.o.o.  
10430 Samobor  
T +38 51 3430914  
wilo-hrvatska@wilo.hr

### Cuba

WILO SE  
Oficina Comercial  
Edificio Simona Apto 105  
Siboney, La Habana, Cuba  
T +53 5 2795135  
T +53 7 272 2330  
raul.rodriguez@wilo-cuba.com

### Czech Republic

WILO CE, s.r.o.  
25101 Cestlice  
T +420 234 098711  
info@wilo.cz

### Denmark

WILO Danmark A/S  
2690 Karlslunde  
T +45 70 253312  
wilo@wilo.dk

### Estonia

WILO Eesti OÜ  
12618 Tallinn  
T +372 6 509780  
info@wilo.ee

### Finland

WILO Finland OY  
02330 Espoo  
T +358 207401540  
wilo@wilo.fi

### France

Wilo Salmson France S.A.S.  
53005 Laval Cedex  
T +33 2435 95400  
info@wilo.fr

### Great Britain

WILO (U.K.) Ltd.  
Burton Upon Trent  
DE14 2WJ  
T +44 1283 523000  
sales@wilo.co.uk

### Greece

WILO Hellas SA  
14569 Anixi (Attika)  
T +302 10 6248300  
wilo.info@wilo.gr

### Hungary

WILO Magyarország Kft  
2045 Törökbalint  
(Budapest)  
T +36 23 889500  
wilo@wilo.hu

### India

Mather and Platt Pumps Ltd.  
Pune 411019  
T +91 20 27442100  
services@matherplatt.com

### Indonesia

PT. WILO Pumps Indonesia  
Jakarta Timur, 13950  
T +62 21 7247676  
citrawilo@cbn.net.id

### Ireland

WILO Ireland  
Limerick  
T +353 61 227566  
sales@wilo.ie

### Italy

WILO Italia s.r.l.  
20068 Peschiera Borromeo  
(Milano)  
T +39 25538351  
wilo.italia@wilo.it

### Kazakhstan

WILO Central Asia  
050002 Almaty  
T +7 727 2785961  
info@wilo.kz

### Korea

WILO Pumps Ltd.  
618-220 Gangseo, Busan  
T +82 51 950 8000  
wilo@wilo.co.kr

### Latvia

WILO Baltic SIA  
1019 Riga  
T +371 6714-5229  
info@wilo.lv

### Lebanon

WILO LEBANON SARL  
Jdeideh 1202 2030  
Lebanon  
T +961 1 888910  
info@wilo.com.lb

### Lithuania

WILO Lietuva UAB  
03202 Vilnius  
T +370 5 2136495  
mail@wilo.lt

### Morocco

WILO Maroc SARL  
20250 Casablanca  
T +212 (0) 5 22 66 09 24  
contact@wilo.ma

### The Netherlands

WILO Nederland B.V.  
1551 NA Westzaan  
T +31 88 956 000  
info@wilo.nl

### Norway

WILO Norge AS  
0975 Oslo  
T +47 22 804570  
wilo@wilo.no

### Poland

WILO Polska Sp. z o.o.  
05-506 Lesznowola  
T +48 22 7026161  
wilo@wilo.pl

### Portugal

Bombas Wilo – Salmson  
– Sistemas Hidraulicos Lda.  
4050-040 Porto  
T +351 22 2080350  
bombas@wilo.pt

### Romania

WILO Romania s.r.l.  
077040 Com. Chiajna  
Jud. Ilfov  
T +40 21 3170164  
wilo@wilo.ro

### Russia

WILO Rus ooo  
123592 Moscow  
T +7 495 7810690  
wilo@wilo.ru

### Saudi Arabia

WILO ME – Riyadh  
Riyadh 11465  
T +966 1 4624430  
wshoula@watanaiind.com

### Serbia and Montenegro

WILO Beograd d.o.o.  
11000 Beograd  
T +381 11 2851278  
office@wilo.rs

### Slovakia

WILO CS s.r.o., org. Zložka  
83106 Bratislava  
T +421 2 38014511  
info@wilo.sk

### Slovenia

WILO Adriatic d.o.o.  
1000 Ljubljana  
T +386 1 5838130  
wilo.adriatic@wilo.si

### South Africa

Salmson South Africa  
2065 Sandton  
T +27 11 6082780  
patrick.hulley@  
salmson.co.za

### Spain

WILO Iberica S.A.  
28806 Alcalá de Henares  
(Madrid)  
T +34 91 8797100  
wilo.iberica@wilo.es

### Sweden

WILO NORDIC AB  
35033 Växjö  
T +46 470 727600  
wilo@wilo.se

### Switzerland

EMB Pumpen AG  
4310 Rheinfelden  
T +41 61 83680-20  
info@emb-pumpen.ch

### Taiwan

WILO Taiwan CO., Ltd.  
24159 New Taipei City  
T +886 2 999 8676  
nelson.wu@wilo.com.tw

### Turkey

WILO Pompa Sistemleri  
San. ve Tic. A.Ş.  
34956 Istanbul  
T +90 216 2509400  
wilo@wilo.com.tr

### Ukraine

WILO Ukraina t.o.w.  
08130 Kiev  
T +38 044 3937384  
wilo@wilo.ua

### United Arab Emirates

WILO Middle East FZE  
Jebel Ali Free Zone–South  
PO Box 262720 Dubai  
T +971 4 880 91 77  
info@wilo.ae

### USA

WILO USA LLC  
Rosemont, IL 60018  
T +1 866 945 6872  
info@wilo-usa.com

### Vietnam

WILO Vietnam Co Ltd.  
Ho Chi Minh City, Vietnam  
T +84 8 38109975  
nkminh@wilo.vn

# wilo

Pioneering for You

WILO SE  
Nortkirchenstraße 100  
D-44263 Dortmund  
Germany  
T +49(0)231 4102-0  
F +49(0)231 4102-7363  
wilo@wilo.com  
www.wilo.com