

USER'S GUIDE

AIR CURTAINS

FM-3006-X1 FM-3006-Y-X1

FM-3009-X1 FM-3009-Y-X1

FM-3010-X1 FM-3010-Y-X1

FM-3012-X1 FM-3012-Y-X1

FM-3015-X1 FM-3015-Y-X1

FM-3018-X1 FM-3018-Y-X1

FM-3020-X1 FM-3020-Y-X1

FM-3506-X1 FM-3506-Y-X1

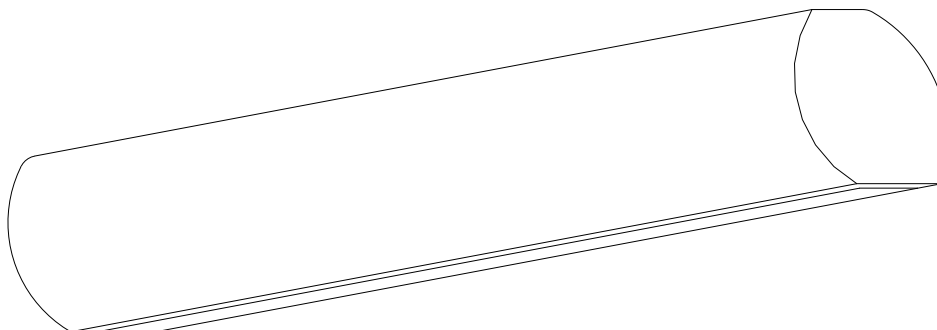
FM-3509-X1 FM-3509-Y-X1

FM-3510-X1 FM-3510-Y-X1

FM-3512-X1 FM-3512-Y-X1

FM-3515-X1 FM-3515-Y-X1

FM-3518-X1 FM-3518-Y-X1

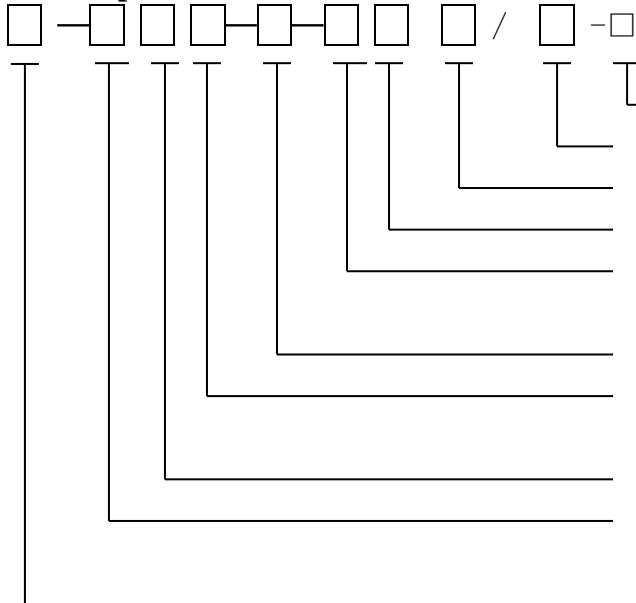


**Thanks for purchasing this Air Curtain,
Please read these instructions carefully before use.**

1、PRODUCT INTRODUCTION

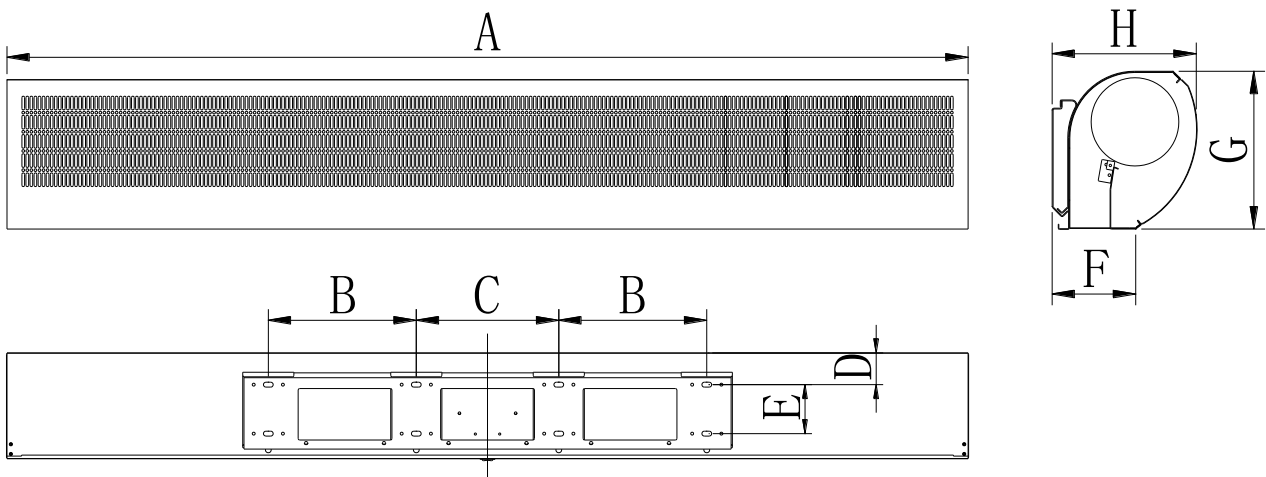
As one of the new top-class products for modern decoration, air curtain is also matched with the air-conditioner. And it is installed at the entrances of supermarket, theater, meeting room, hotel, office room, work shop and storeroom to prevent the dust, mosquito and warm air, and so on.

2、Description of air curtain model name:



Factory Designing Serial No.
 Y for with remote; without Y for switch
 Heating Power KW; No figure here for unheated
 Heater installation: J for In-let heating
 Heating source: D for electric heating; 3 D for 3 phase,
 D for 1 phase ; S for hot water
 Installation Type: C for vertical Installation
 Blower type: Z for direct Ventilating; L for centrifugal
 Nominal width of the air outlet x100mm
 Dimension of blade: x10mm;
 effective airflow height fro centrifugal type x100mm
 Model type: FM for unheated ; RM for heated

3、IDENTIFICATION & INSTALLATION DIMENSIONS (mm)

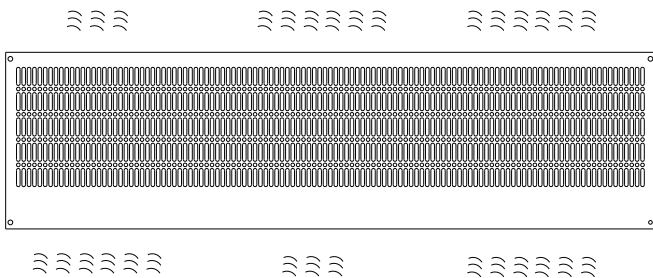


MODEL	A	B	C	D	E	F	G	H
FM-3006-X1 FM-3006-Y-X1	600	-	250	66.5	100	111	215	189
FM-3009-X1 FM-3009-Y-X1	900		505					
FM-3010-X1 FM-3010-Y-X1	1000							
FM-3012-X1 FM-3012-Y-X1	1210							
FM-3015-X1 FM-3015-Y-X1	1500							
FM-3018-X1 FM-3018-Y-X1	1825	304	292.5					
FM-3020-X1 FM-3020-Y-X1	2000							
FM-3506-X1 FM-3506-Y-X1	600	-	250	66.5	100	111	215	189
FM-3509-X1 FM-3509-Y-X1	900		505					
FM-3510-X1 FM-3510-Y-X1	1000							
FM-3512-X1 FM-3512-Y-X1	1210							
FM-3515-X1 FM-3515-Y-X1	1500							
FM-3518-X1 FM-3518-Y-X1	1825	304	292.5					

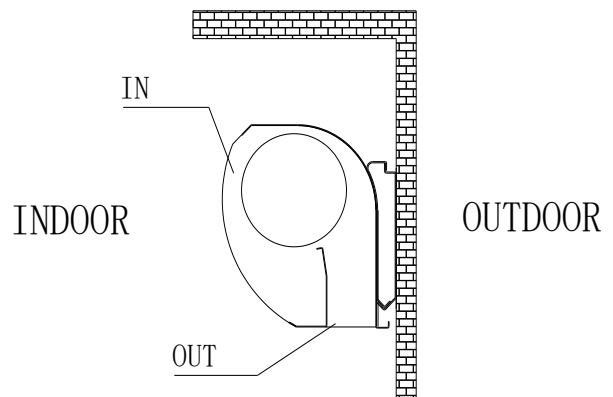
4、INSTALLATION PRECAUTION

Ensure to follow these directions for installation:

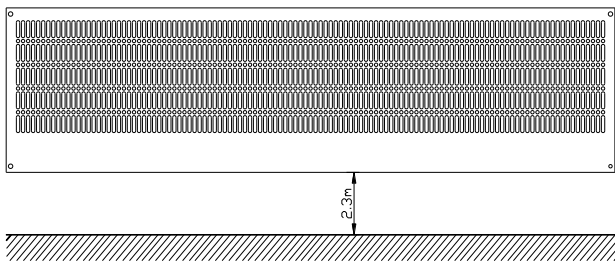
4.1 Please install the unit in a sturdy place to avoid any shaking, vibration or noise. The unit should be securely fixed.



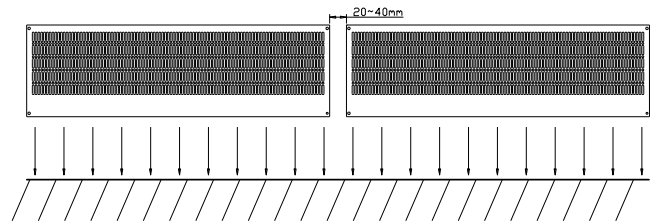
4.2 Please install the unit inside the room.



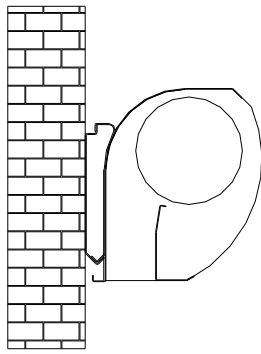
4.3 Don't install the unit too low, no less than 2.3 meters from the ground.



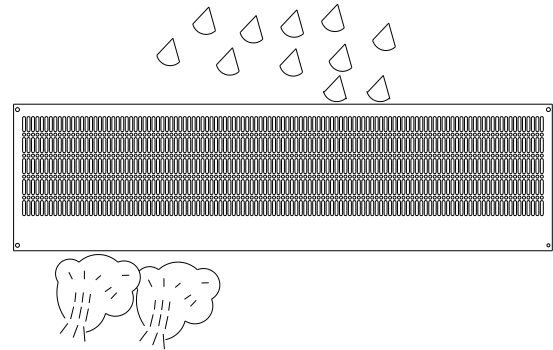
4.4 When the entrance is wider than the unit, it is recommended to install two or more units in parallel. In this case, provide 20-40mm gaps between the units.



4.5 Don't allow gaps between the unit and the wall. When hanging it from the ceiling, use the enclosed ceiling brackets.



4.6 Don't install the unit in a place where it is splashed by water, exposed to excessive steam, explosive gas or corrosive gas.

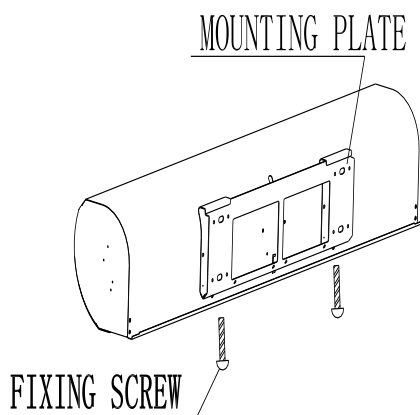


5. INSTALLATION

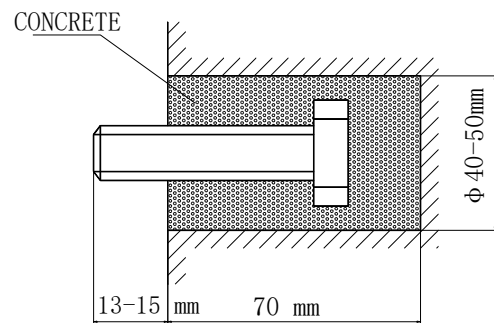
A. Installing against a concrete wall :

5.1.1 Remove the mounting plate.

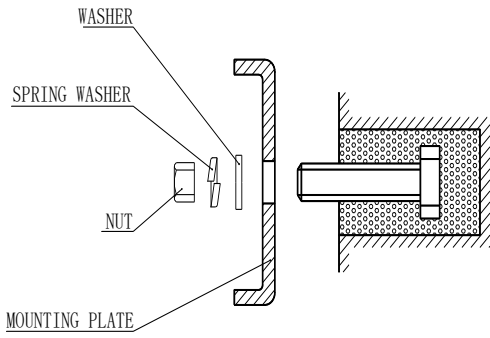
Undo the fixed screws on the back of main body to remove the mounting plate.



5.1.2 Fix the bolts in the proper position (Decide the position with the mounting plate.)

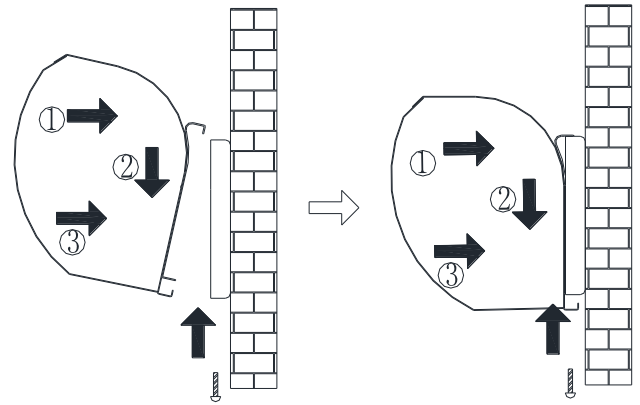


5.1.3 Fit the mounting plate



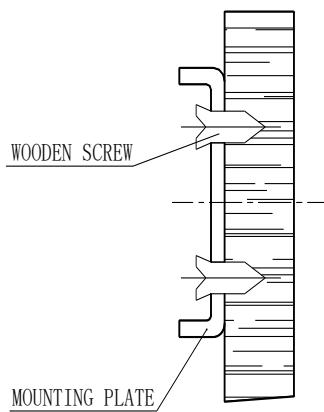
5.1.4 Install the main body

Set the main body onto the upper end of the mounting plate and clamp it as shown.

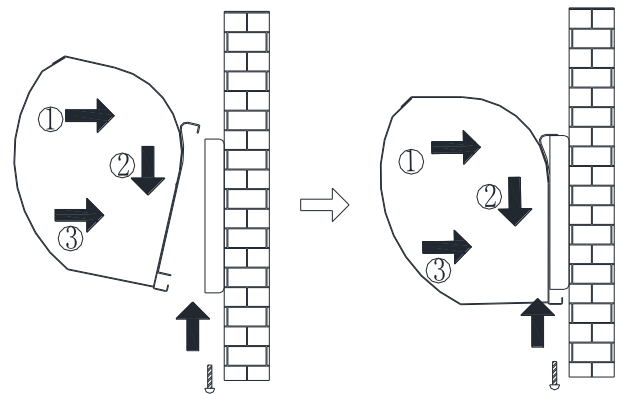


B、 Installing on a wooden or dry wall

5.2.1 Fix the mounting plate in the proper positions with tapping screw.

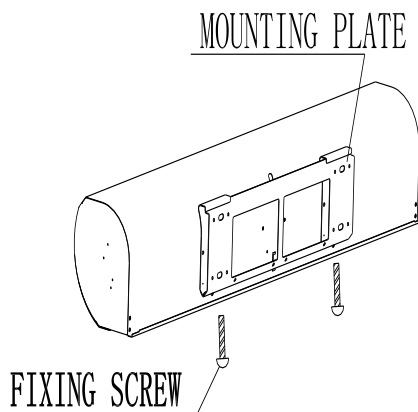


5.2.2 Proceed as per step 4 above

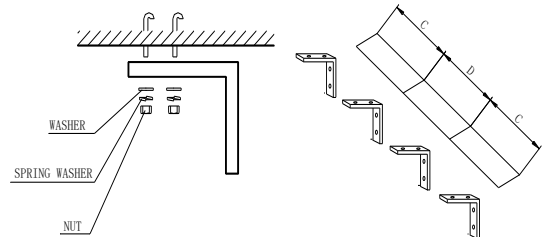


C、 Hanging from the ceiling

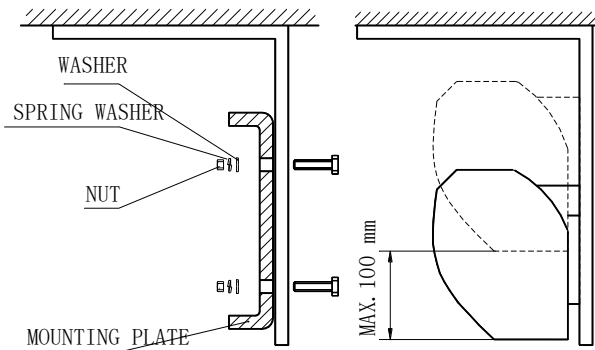
5.3.1 Remove the mounting plate from main body (Same as step 5.1.1)



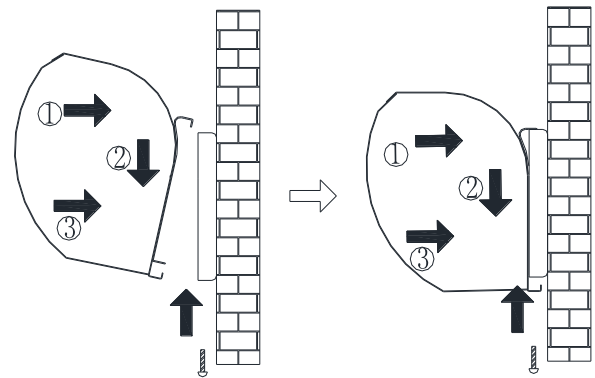
5.3.2 Fixing ceiling brackets as Fig.



5.3.3 Set the mounting plate on the ceiling brackets and ensure a secure fixing with use of the bolts. Using the ceiling brackets to hang from the ceiling, the position of mounting plate can be adjusted in the limit of 100mm.



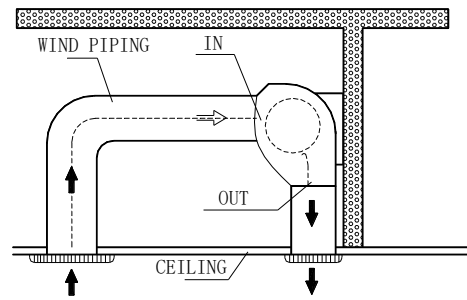
5.3.4 Do the same as step A to install the main body.



D、 For above ceiling

5.4.1 Fix the air curtain as in the procedure for installing on the concrete wall.

5.4.2 Then pipe as per Fig.

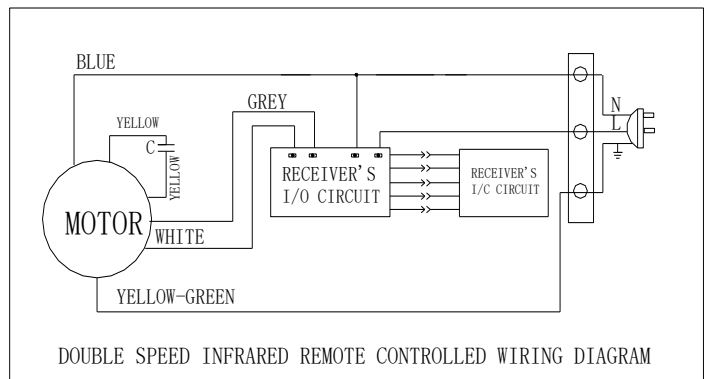
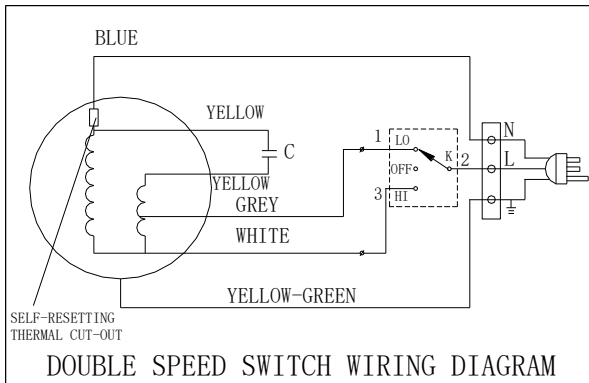


6、 TECHNICAL INFORMATION

MODEL	Diam of wheel (mm)	Volt. (V~)	Freq (Hz)	Max input power (W)		Max air speed (m/s)		Noise (dB)		Air volume (m ³ /h)		Net weight (Kg)	Dimension (mm)		
				Hi	Lo	Hi	Lo	Hi	Lo	Hi	Lo				
FM-3006-X1 FM-3006-Y-X1	120	220~ 240	50	110	75	11.5	9.5	53	50	1000	800	8	600X189X215		
60			120	80	55			53	1700	1350					
FM-3009-X1 FM-3009-Y-X1			50	180	130			56	54	2000	1700			9.5	900X189X215
60			190	140	57			55	2300	1800					
FM-3010-X1 FM-3010-Y-X1			50	200	140			58	56	2900	2200			13.5	1500X189X215
60			220	180											
FM-3012-X1 FM-3012-Y-X1			50	260	180			59	57	3500	2600			17.5	1825X189X215
60			270	190											
FM-3015-X1 FM-3015-Y-X1			50	300	230			60	58	4100	3000			20	2000X189X215
60			350	260											
FM-3018-X1 FM-3018-Y-X1			50	350	300	13.5	11.5	1170	1000	9	600X189X215				
60			380	340											
FM-3020-X1 FM-3020-Y-X1			50	450	370	60	58	2000	1700	10.5	900X189X215				
60			460	400											
FM-3506-X1 FM-3506-Y-X1			50	150	110	60	56	2400	2000	11.5	1000X189X215				
60			160	120											
FM-3509-X1 FM-3509-Y-X1			50	250	190	61	57	2700	2300	13	1210X189X215				
60			260	200											
FM-3510-X1 FM-3510-Y-X1			50	280	210	62	58	3500	2900	14.5	1500X189X215				
60			300	230											
FM-3512-X1 FM-3512-Y-X1	50	320	250	63	59	4300	3500	18.5	1825X189X215						
60	340	260													
FM-3515-X1 FM-3515-Y-X1	50	410	310												
60	460	350													
FM-3518-X1 FM-3518-Y-X1	50	580	420												
60	620	440													

MODEL	Diam of wheel (mm)	Volt. (V~)	Freq (Hz)	Max input power (W)		Max air speed (m/s)		Noise (dB)		Air volume (m³/h)		Net weight (Kg)	Dimension (mm)		
				Hi	Lo	Hi	Lo	Hi	Lo	Hi	Lo				
FM-3006-X1 FM-3006-Y-X1	120	110~	50	110	75	11.5	9.5	53	50	1000	800	8	600X189X215		
			60	120	80										
FM-3009-X1 FM-3009-Y-X1			50	180	130			55	53	1700	1350			9.5	900X189X215
			60	190	140										
FM-3010-X1 FM-3010-Y-X1			50	200	140			56	54	2000	1700			10.5	1000X189X215
			60	220	180										
FM-3012-X1 FM-3012-Y-X1			50	260	180			57	55	2300	1800			12	1210X189X215
			60	270	190										
FM-3015-X1 FM-3015-Y-X1			50	300	230			58	56	2900	2200			13.5	1500X189X215
			60	350	260										
FM-3018-X1 FM-3018-Y-X1			50	350	300	59	57	3500	2600	17.5	1825X189X215				
			60	380	340										
FM-3020-X1 FM-3020-Y-X1			50	450	370	60	58	4100	3000	20	2000X189X215				
			60	460	400										
FM-3506-X1 FM-3506-Y-X1			13.5	11.5	50	150	110	58	53	1170	1000	9	600X189X215		
					60	160	120								
FM-3509-X1 FM-3509-Y-X1					50	250	190	60	55	2000	1700	10.5	900X189X215		
					60	260	200								
FM-3510-X1 FM-3510-Y-X1					50	280	210	60	56	2400	2000	11.5	1000X189X215		
					60	300	230								
FM-3512-X1 FM-3512-Y-X1	50	320			250	61	57	2700	2300	13	1210X189X215				
	60	340			260										
FM-3515-X1 FM-3515-Y-X1	50	410			310	62	58	3500	2900	14.5	1500X189X215				
	60	460			350										
FM-3518-X1 FM-3518-Y-X1	50	580			420	63	59	4300	3500	18.5	1825X189X215				
	60	620			440										

7. ELECTRICAL CONNECTION

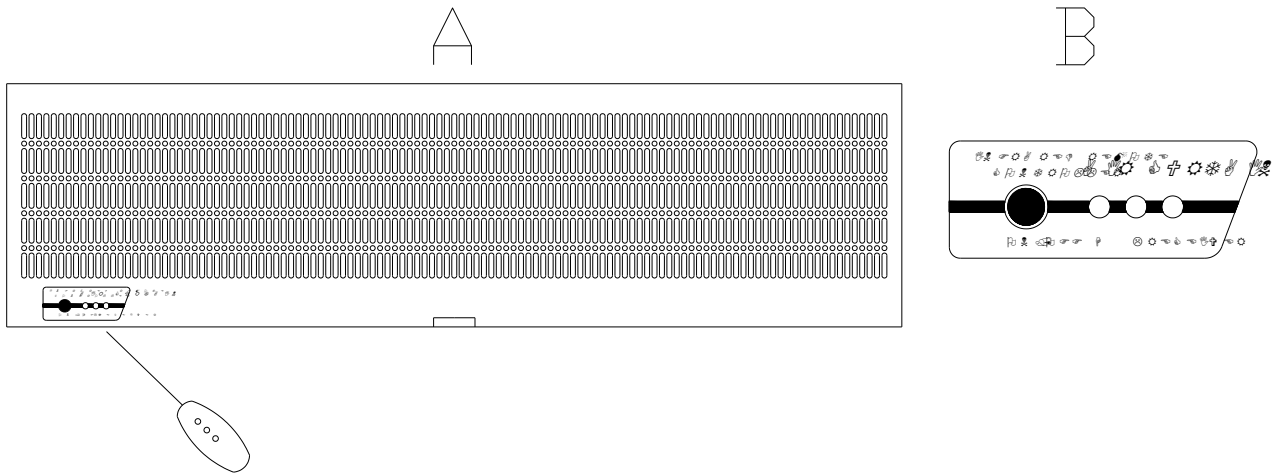


8. OPERATION

8.1 Turn on the power.

8.1.2 Select the suitable speed: High[Hi], Low[Lo]

8.1.3 According to use adjust the grate to obtain the best effect.



9、 CAUTIONS

- Use the unit at the rated voltage and frequency indicated on the nameplate.
- Disconnect power source before unit servicing.
- Routine maintenance must be done every year.
- Never use petrol, benzene, thinners or any other such chemical for cleaning the unit.
- Don't allow water or any liquid to enter the motor.
- When power supply comes from a socket, the plug must be in accordance with IEC335-1. When the power cord is connected directly to power ensure a appropriate circuit breaker is installed to comply with local regulations.